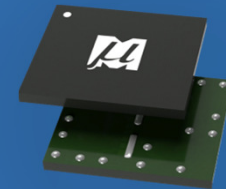
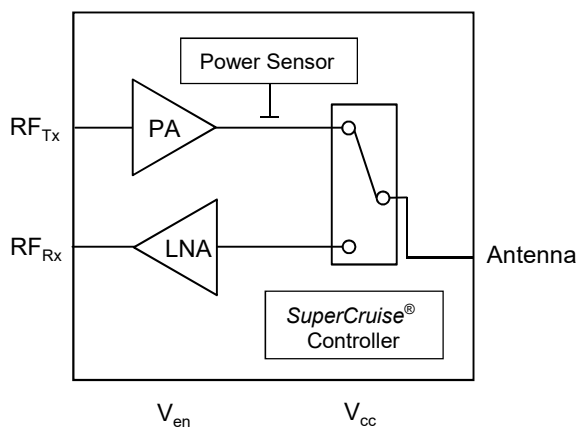


Compact FEM for Embedded 5G Solutions

Small and highly efficient, MMFE900 C-series are FEM modules designed with *SuperCruise*[®] technology for high speed 5G applications. The flip-chip design makes these FEM's ideal for embedding into SiP, AiP, PoP allowing for cost effective solutions that reduce PCB space. The modules integrate ultra efficient PA, LNA, SW impedance matching networks, bias control, and power sensors to simplify design and manufacturing of end products. The advanced bias control and compensation circuitry ensures stable performance over a wide operating range.



MMFE900 C-series maximize the throughput and deliver the highest data rates allowing the users to truly enjoy 5G speeds.



Key Features

- 2GHz to 7GHz
- PA, LNA & SWs
- 25dBm avg.
- 34dB Gain
- APT/ET Compatible
- 50 Ohms Internally Matched I/O
- 2 x 1 mm form factor

Applications

- Phones, Tablets
- Hot Spots
- 4G/5G
- SiP, AiP, PoP

Please contact Micro Mobio at info@micromobio.com to find out more, or request datasheet.

The contents of Product Preview pages are copyright © MICRO MOBIO, Corporation 2001. All rights reserved. Reproduction, transfer, distribution or storage of part or all of the contents in any form without the prior written permission of MICRO MOBIO is prohibited except in accordance with the following permission. MICRO MOBIO consents to you storing on your computer or printing copies of extracts from these pages for your personal use only. Individual documents in our World Wide Web pages may be subject to additional terms indicated in those documents. "MICRO MOBIO," the "MICRO MOBIO Logo" and MICRO MOBIO product names are trademarks of MICRO MOBIO, Corporation.

The contents of Product Preview pages are provided "as is". Except as required by applicable law no warranty of any kind, either express or implied, is made in relation to the accuracy, reliability or content of the pages. MICRO MOBIO reserves the right to revise the pages or withdraw access to them at any time.