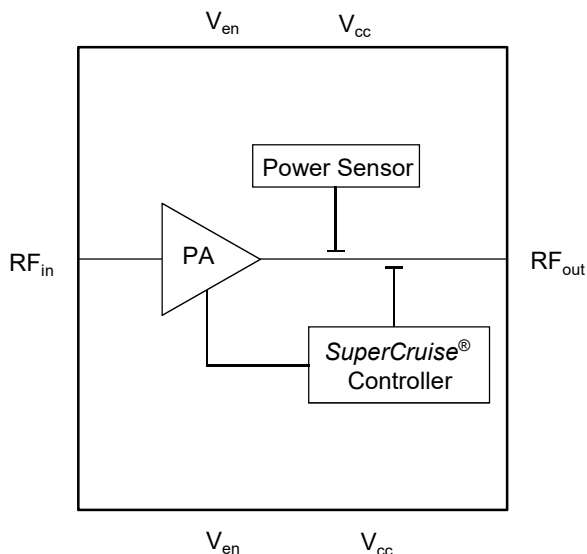
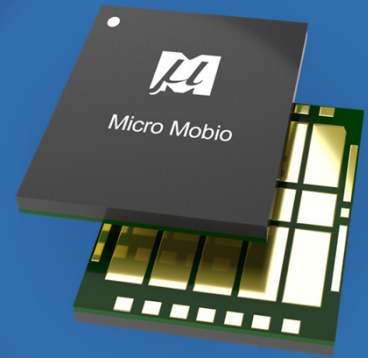


Integrated Solution for Super Linearity

Powerful and highly linear, MMPA570 L-series are fully integrated modules designed with *SuperCruise*® technology for high speed broadband applications. Combination of power and high linearity in compact packages, makes these amplifier modules ideal for applications without ADP or DPD, such as massive MIMO, repeaters, DAS and etc.... The modules integrate ultra linear amplifier, impedance matching networks, bias control, and power sensors to simplify design and manufacturing of end products. The advanced bias control and compensation circuitry ensures stable performance over a wide operating range.

MMPA570 L-series are optimized to deliver the maximum data rate over extended range and reduce the overall RAN equipment cost.



Key Features

- 2GHz to 5GHz
- Up to 29dBm avg.
- Ultra Linear (-48dBc ACLR1)
- 5V Vcc
- Precision Power Sensor
- 200MHz BW
- 35dB Gain
- 10 x 11 mm form factor

Applications

- High Speed Wireless Transmitter
- Massive MIMO
- Small Cell, DAS, Repeaters
- Extended Cell Coverage

Please contact Micro Mobio at info@micromobio.com to find out more, or request datasheet.

The contents of Product Preview pages are copyright © MICRO MOBIO, Corporation 2001. All rights reserved. Reproduction, transfer, distribution or storage of part or all of the contents in any form without the prior written permission of MICRO MOBIO is prohibited except in accordance with the following permission. MICRO MOBIO consents to you storing on your computer or printing copies of extracts from these pages for your personal use only. Individual documents in our World Wide Web pages may be subject to additional terms indicated in those documents. "MICRO MOBIO," the "MICRO MOBIO Logo" and MICRO MOBIO product names are trademarks of MICRO MOBIO, Corporation.

The contents of Product Preview pages are provided "as is". Except as required by applicable law no warranty of any kind, either express or implied, is made in relation to the accuracy, reliability or content of the pages. MICRO MOBIO reserves the right to revise the pages or withdraw access to them at any time.