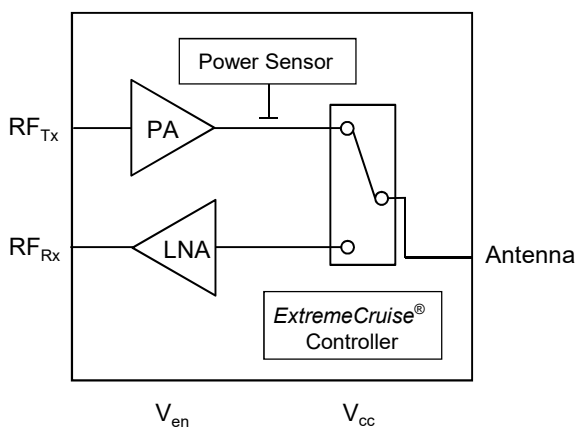
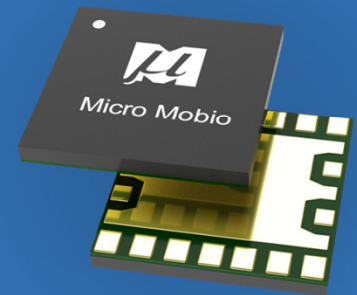


Fully Integrated Solution for 5G Small Cells

Small and highly efficient, mmFE4800 E-series are RF front-end modules designed with *ExtremeCruise*® technology for high speed mmWave and satellite applications. Combination of great design, simplicity and cost in compact packages, makes these booster modules ideal for overcoming higher path losses of high frequency signals. The modules integrate ultra efficient booster, LNA, SW, impedance matching networks, bias control, and power sensors to simplify design and manufacturing of end products. The advanced bias control and compensation circuitry ensures stable performance over a wide operating range.

mmFE4800 E-series RF front-end modules reduce the RAN equipment size and cost, while unleashing the full potential of 5G high frequencies.



Key Features

- 10GHz to 40GHz
- Up to 16dBm avg.
- < 2%EVM
- < 2dB NF
- PA, LN and SW
- 400MHz BW
- 28dB Gain
- 3 x 3 mm form factor

Applications

- 5G NR
- Small Cell / Massive MIMO
- Phase Array Antenna
- Extended Cell Coverage

Please contact Micro Mobio at info@micromobio.com to find out more, or request datasheet.

The contents of Product Preview pages are copyright © MICRO MOBIO, Corporation 2001. All rights reserved. Reproduction, transfer, distribution or storage of part or all of the contents in any form without the prior written permission of MICRO MOBIO is prohibited except in accordance with the following permission. MICRO MOBIO consents to you storing on your computer or printing copies of extracts from these pages for your personal use only. Individual documents in our World Wide Web pages may be subject to additional terms indicated in those documents. "MICRO MOBIO," the "MICRO MOBIO Logo" and MICRO MOBIO product names are trademarks of MICRO MOBIO, Corporation.

The contents of Product Preview pages are provided "as is". Except as required by applicable law no warranty of any kind, either express or implied, is made in relation to the accuracy, reliability or content of the pages. MICRO MOBIO reserves the right to revise the pages or withdraw access to them at any time.